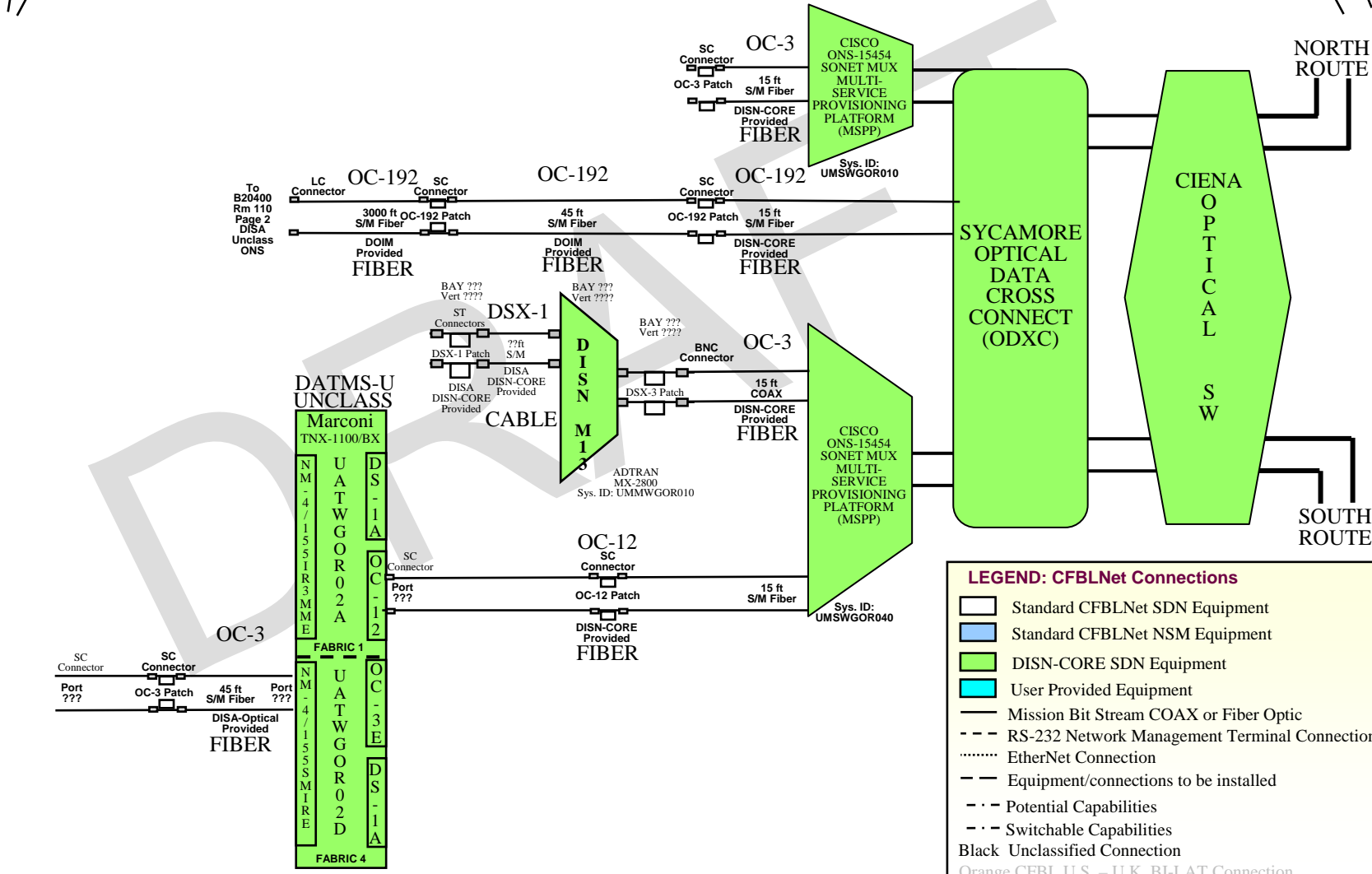




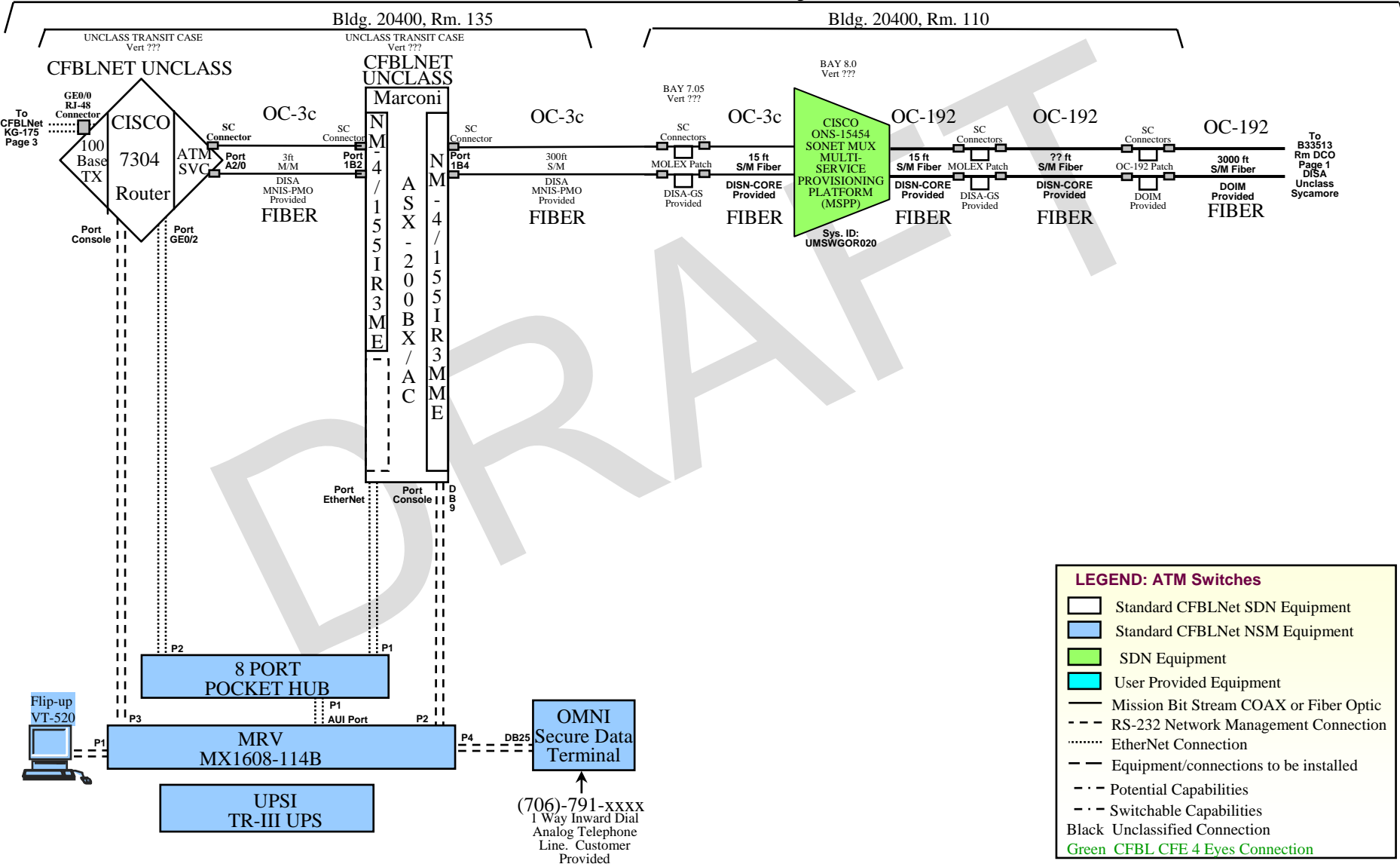
DOIM Dial Central Office (DCO), Bldg. 33513, Kilbourne St, Ft. Gordon, GA

Telco/DCO Room





513<sup>th</sup> MI BDE, Brainard Ave, Ft. Gordon, Augusta, GA





513th MI BDE, Brainard Ave, Ft. Gordon, Augusta, GA

Bldg. 20400, Rm. 135

Bldg. 20400, Rm. 135

CFE 4 Eyes CLASSIFIED



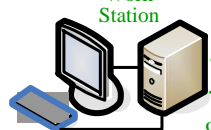
PORT 0  
??  
Connector

CFE 4 Eyes CLASSIFIED



PORT 0  
??  
Connector

CFE 4 Eyes CLASSIFIED



PORT 0  
??  
Connector

CLASSIFIED TRANSIT CASE  
Vert ??  
CFE 4 Eyes CLASSIFIED



PORT 1  
RJ-48  
Connector



PORT 2  
RJ-48  
Connector



TX  
Ports

Port Console

CLASSIFIED TRANSIT CASE  
Vert ??  
CFE 4 Eyes CLASSIFIED

100  
Base  
FX  
??ft  
M/M  
513 MI BDE  
Provided  
FIBER

PORT 2  
MTRJ  
Connector

PORT 4  
MTRJ  
Connector

PORT 6  
MTRJ  
Connector

100  
Base  
FX  
??ft  
M/M  
513 MI BDE  
Provided  
FIBER

1000  
Base  
FX  
3ft  
M/M  
DISA  
MNIS-PMO  
Provided  
FIBER

PORT 1  
LC  
Connector

PORT 2  
LC  
Connector



CISCO  
3550  
Ethernet  
Switch  
FX  
Ports

Flip-up  
VT-520



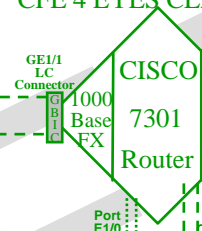
PORT 1  
LC  
Connector

1000  
Base  
FX  
??ft  
M/M  
DISA  
MNIS-PMO  
Provided  
FIBER

GE1/1  
LC  
Connector

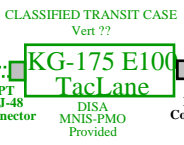
Port  
E1/0

Port  
Console



CLASSIFIED TRANSIT CASE  
Vert ??  
CFE 4 EYES CLASSIFIED

CAT-5e  
CABLE



CLASSIFIED TRANSIT CASE  
Vert ??  
KG-175 E100  
TacLane

CT  
RJ-48  
Connector

To  
CFBLNET  
CISCO  
7304  
Page 2

**LEGEND: ATM Switches**

- Standard CFBLNet SDN Equipment
- Standard CFBLNet NSM Equipment
- SDN Equipment
- User Provided Equipment
- Mission Bit Stream COAX or Fiber Optic
- RS-232 Network Management Connection
- Ethernet Connection
- Equipment/connections to be installed
- Potential Capabilities
- Switchable Capabilities
- Unclassified Connection
- CFBL CFE 4 Eyes Connection

(915)-568-XXXX  
 1 Way Inward Dial  
 Analog Telephone  
 Line. Customer  
 Provided